

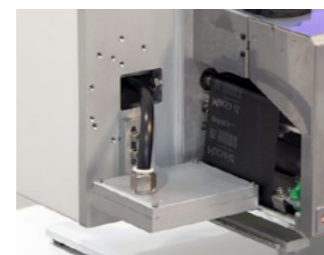
### Maximum reliability in your production line

The idBlocks system has a wide range of label applicator modules to meet the most demanding market needs.

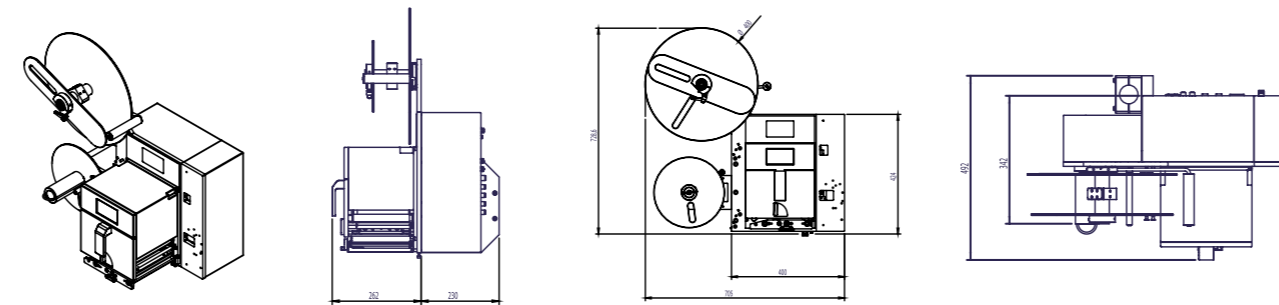
The design of the applicator system makes it possible to place labels in any position, at different distances and adapted to the surface of the product.

The idBlocks labelling machines can include different accessories with the standard version, such as: advanced notification of consumables, IP protection screens, barcode readers, among others, and offer the maximum adaptability in any production line.

- Easy interchangeable modules.
- More than 100 applicators available to satisfy almost all market needs.
- High autonomy with 400mm diameter label reels.
- It adapts to any printer module on the market, facilitating its maintenance and allowing spare printer modules.
- Totally external connection for easy integration into automated production lines.
- It includes a touch screen to set and manage the equipment, using maintenance tools and fault location.



#### idBlocks



	idBlocks 40	idBlocks 60
<b>DISPENSER</b>	Hand	Left or right
	Maximum label width	110 mm (idBlocks 40) and 160 mm (idBlocks 60)
	Exterior roll diameter	400 mm (admits IN/OUT winding)
	Internal mandrel diameter	76,2 mm (3")
	Rewinder	Smart Automatic (without clutch and self-calculated speed)
<b>PRINTER</b>	Brand	DATAMAX, SATO, ZEBRA, AVERY, CAB
	Printing method	Heat transfer or direct transfer
	Resolution	From 200 DPI to 600 DPI
	Ribbon winding	IN / OUT
	Ribbon capacity	Up to 1000 m.
<b>USER INTERFACE</b>	idBlocks control	Touch screen 4.3" embedded or 5.4" peripheral (optional)
	Communication Ports	Ethernet • Serial RS-232 • USB • Bluetooth (optional)
<b>COMMUNICATIONS</b>	Inputs / Outputs	7 PNP Inputs 7 Dry contact & open collector outputs
<b>SPECIFICATIONS</b>	Length	705 mm
	Height	729 mm
	Depth	446 mm (idBlocks 40) and 492 mm (idBlocks 60)
	Weight	25 Kg. (excluding printer)
	Printer	Approx. 18 Kg.
	Power supply	110 - 240 V AC • 50 / 60 Hz
	Power consumption	500 W
	Compressed air	5 - 6 bar. dry and clean air
	Pneumatic consumption	100 l/min.
	Temperature	+ 5°C to + 40°C.
	Humidity	20 - 85% without condensation

CODING, TRACING AND MARKING SOLUTIONS WORLDWIDE



### idBlocks

THE MOST VERSATILE LABEL PRINTER APPLICATIONS ON THE MARKET



## idBlocks

### Modularity maximising versatility

idBlocks by Macsa ID is the most versatile label applicator printer on the market. It has a compact and modular industrial design, is highly reliable, and is resistant to harsh environments and tough working conditions.

The idBlocks system is built with interchangeable modules that are easily added to a base board. This allows rapid replacement to adapt to changes in labelling requirements.

#### CONTROL UNIT

Incorporating its own high-performance electronics with a 4.3" multi-function interface.

#### BASE BOARD

A single, very strong 12mm anodised aluminium board supporting the other modules.

#### APPLICATOR

Combining the pneumatic elements necessary for the 5 application systems available.



#### UNWINDER

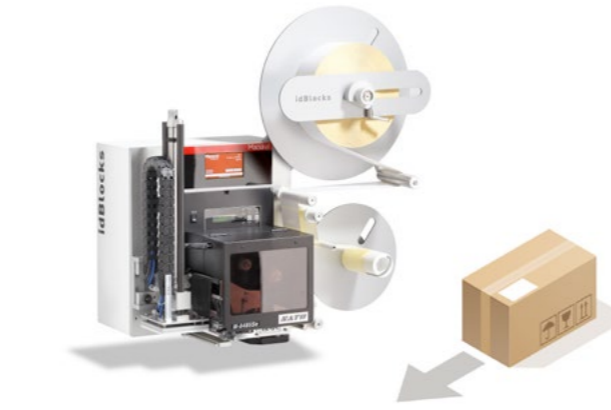
Allowing rolls of up to 400mm in diameter.

#### REWINDER

Stepper motor adapting to the printing speed in real time.

#### OEM PRINTER MODULE

Integrating the main OEM printers on the market.



#### LINEAL IDBLOCKS 4020/6020

##### Blow and contact label applicator system

A label applicator system by a lineal pneumatic cylinder which allows the label to approach and be applied to surfaces of different lengths.

Different systems of application can be used either by contact on uneven surfaces or by blowing.

The pneumatic cylinder stroke ranges from 100mm up to 800mm.



#### FRONTAL IDBLOCKS 4030/6030

##### Label applicator system for different sides of the product

It is a system with a rotating arm that allows labels to be applied on the frontal or lateral sides of the product. There are different systems of application, by contact on uneven surfaces or by blowing.

The pneumatic cylinder stroke ranges from 100mm up to 800mm.

There is also a version available with a swinging arm for the label application on two adjacent sides and on the back side of the product.



#### FAN IDBLOCKS 4042

##### Label applicator system by belts for high speed corners or uneven surfaces

A label applicator system which works by straps, allowing label application on products at high speeds, uneven surfaces and corners.

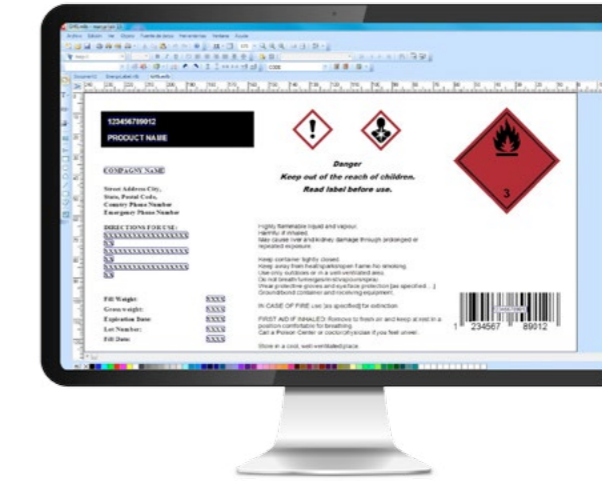


#### BLOW IDBLOCKS 4050

##### Contactless Blow Label applicator system for high speed

A blow label applicator system that allows products to be labelled at high speeds, over irregular surfaces and by blowing the label onto the product with no actual contact. Distance applied up to 80 mm.

## Software



### MARCALAB

#### The label design software

MARCALAB is an advanced label design and integration software that assures connectivity with your production management systems. Images, barcodes (EAN128, EAN13, Datamatrix, etc.), fonts, etc. can be inserted and the information sent to the printer.



### OPTIMA

#### Managing from a single point

Many people intervene in the coding processes, performing multiple manual operations, and this increases the possibility of error. In order to avoid this, Macsa ID has created Optima, a software package which brings together all of the coding and marking processes within a single program, thus drastically reducing the number of necessary interventions.

idBlocks by Macsa can be easily integrated into any packaging or industrial sector production line



## Consumables

### High quality range of labels

Macsa ID manufactures and sells labels for packaging and product labelling, with high quality materials, in both standard and customised sizes.

